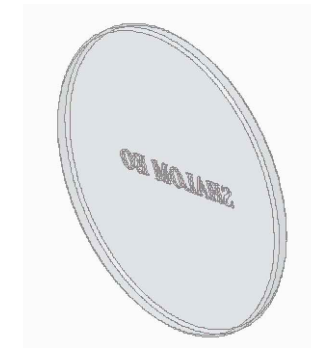
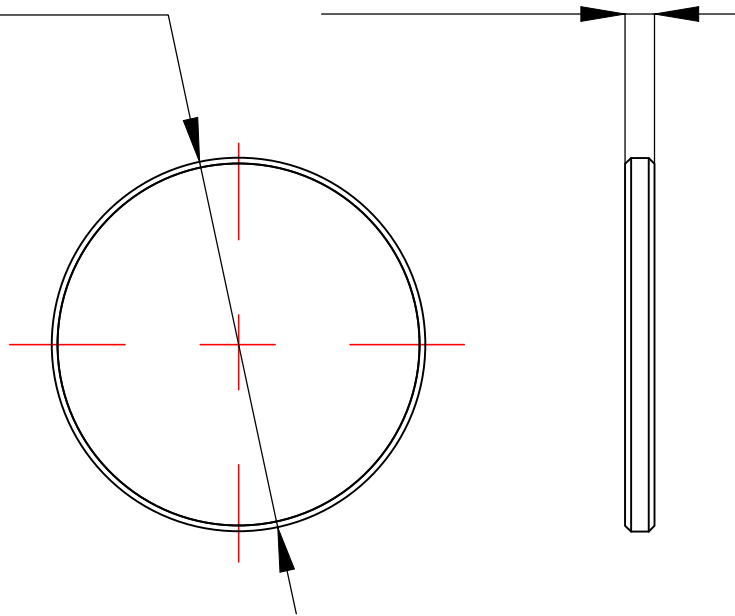


$\varnothing 12.7 \begin{smallmatrix} 0 \\ -0.1 \end{smallmatrix}$

$1 \pm 0.1$



### NOTES/SPECIFICATIONS:

1. MATERIALS: C7980-OF
2. APERTURE: >90%
3. SURFACE QUALITY : 10/5 S/D
4. PARALLELISM: <10 ARC SECONDS
5. CHAMFER: 0.2mm x 45 DEGREE
6. FLATNESS:  $\lambda/10 @ 633\text{nm}$
7. COATING: UNCOATED
8. DIMENSION IN mm

**FOR INFORMATION ONLY  
NOT FOR MANUFACTURING PURPOSES**

DRAWING PROJECTION			<b>SHALOM EO</b> w w w . shalomeo . c o m			
	NAME	DATE	C7980-OF D12.7x1mm WINDOWS UNCOATED			
DRAWN	LLL	18/June/20				
APPROVAL	JT	18/June/20				
COPYRIGHT © 2020 BY SHALOM EO			MATERIAL	C7980-OF	REV	A
			ITEM #	135-006	PROPORTION	2:1